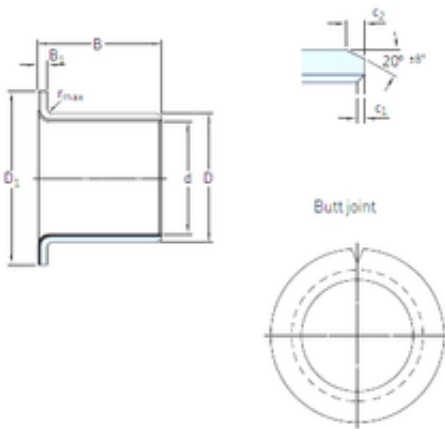




USK BEARING COMPANY

8 mm x 10 mm x 9,5 mm skf PCMF 081009.5 E
Plain bearings, Bushings



Bearing No. PCMF 081009.5 E

PCMF 081009.5 E Bearing 2D drawings and 3D CAD models

Size	8x10x9.5 mm
Bore Diameter	8 mm
Outer Diameter	10 mm
Width	9,5 mm
d	8 mm
D	10 mm
B	9,5 mm
c1 min	0,1 mm
c2 min	0,2 mm
r max	1 mm
B1	1 mm
D1	15 mm
Weight	0,0029 Kg
Dynamic load rating radial (C)	4,8 kN
Dynamic load rating axial (C)	5,1 kN
Static load rating radial (C0)	15 kN
D ₁	15 mm
B ₁	1 mm
c ₁ min.	0.1 mm
c ₁ max.	0.6 mm
c ₂ min.	0.2 mm
c ₂ max.	1 mm
± 8	20 °
r max.	1 mm



USK BEARING COMPANY

Tolerance shaft	f7
Tolerance housing	H7
Basic dynamic load rating - radial direction C	4.8 kN
Basic static load rating - radial direction C ₀	15 kN
Basic dynamic load rating - axial direction C _a	5.1 kN
Basic static load rating - axial direction C _{0a}	16 kN
Specific dynamic load factor K	80 N/mm ²
Specific static load factor K ₀	250 N/mm ²
Factor depending on material and bearing type K _M	480
Permissible sliding velocity v min.	0 m/s
Permissible sliding velocity v max.	2 m/s
Coefficient of friction μ min.	0.03
Coefficient of friction μ max.	0.25
Mass bushing	0.003 kg