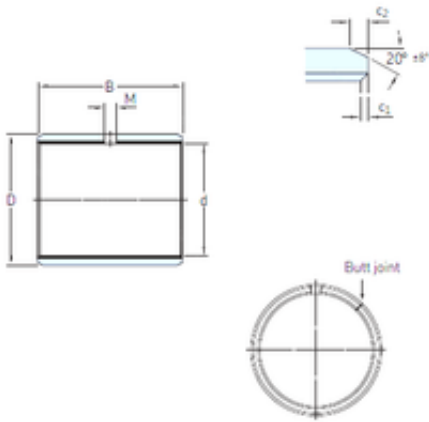




USK BEARING COMPANY



14 mm x 16 mm x 15 mm skf PCM 141615 M Plain bearings, Bushings

Bearing No. PCM 141615 M

PCM 141615 M Bearing 2D drawings and 3D CAD models

| | |
|-------------------------------|-------------|
| Size | 14x16x15 mm |
| Bore Diameter | 14 mm |
| Outer Diameter | 16 mm |
| Width | 15 mm |
| d | 14 mm |
| D | 16 mm |
| B | 15 mm |
| c1 min | 0,1 mm |
| c2 min | 0,2 mm |
| M | 3 mm |
| Weight | 0,004 Kg |
| Basic dynamic load rating (C) | 25 kN |
| Category | Bearings |
| Inventory | 0.0 |
| Manufacturer Name | SKF |
| Minimum Buy Quantity | N/A |
| UNSPSC | 31171515 |
| Weight / Kilogram | 0 |
| Product Group | B04264 |
| c ₁ min. | 0.1 mm |
| c ₁ max. | 0.6 mm |
| c ₂ min. | 0.2 mm |
| c ₂ max. | 1 mm |
| ± 8 | 20 ° |
| Tolerance shaft | h8 |



USK BEARING COMPANY

| | |
|---|-----------------------|
| Tolerance housing | H7 |
| Basic dynamic load rating - radial direction C | 25 kN |
| Basic static load rating - radial direction C_0 | 52 kN |
| Specific dynamic load factor K | 120 N/mm ² |
| Specific static load factor K_0 | 250 N/mm ² |
| Factor depending on material and bearing type K_M | 1900 |
| Permissible sliding velocity v min. | 0 m/s |
| Permissible sliding velocity v max. | 2.5 m/s |
| Coefficient of friction μ min. | 0.02 |
| Coefficient of friction μ max. | 0.2 |
| Mass bushing | 0.004 kg |