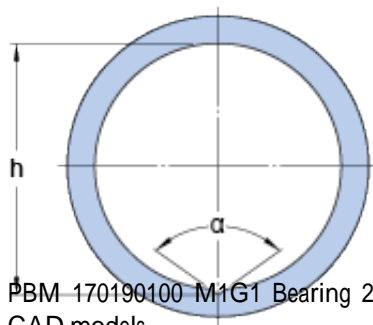
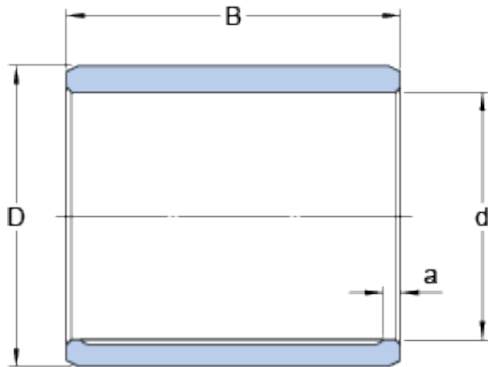




USK BEARING COMPANY



PBM-170190100 M1G1 Bearing 2D drawings and 3D CAD models

170 mm x 190 mm x 100 mm skf PBM
170190100 M1G1 Plain bearings, Bushings

Bearing No. PBM 170190100 M1G1

d	170 mm
D	190 mm
B	100 mm
a	5 mm
h	172 mm
	124 °
Tolerance shaft	e7
Tolerance housing	H7
Specific dynamic load factor K	25 N/mm ²
Specific static load factor K ₀	45 N/mm ²
Permissible sliding velocity v min.	0 m/s
Permissible sliding velocity v max.	0.5 m/s
Coefficient of friction μ min.	0.08
Coefficient of friction μ max.	0.15
Mass bushing	4.95 kg