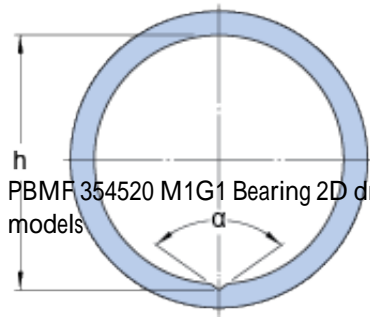
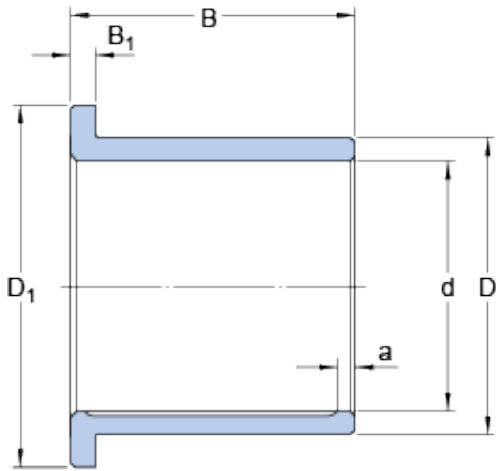




USK BEARING COMPANY



PBMF 354520 M1G1 Bearing 2D drawings and 3D CAD models

35 mm x 45 mm x 20 mm skf PBMF 354520 M1G1 Plain bearings, Bushings

Bearing No. PBMF 354520 M1G1

d	35 mm
D	45 mm
B	20 mm
D ₁	55 mm
B ₁	5 mm
a	3 mm
h	36 mm
	124 °
Tolerance shaft	e7
Tolerance housing	H7
Specific dynamic load factor K	25 N/mm ²
Specific static load factor K ₀	45 N/mm ²
Permissible sliding velocity v min.	0 m/s
Permissible sliding velocity v max.	0.5 m/s
Coefficient of friction μ min.	0.08
Coefficient of friction μ max.	0.15
Mass bushing	0.14 kg