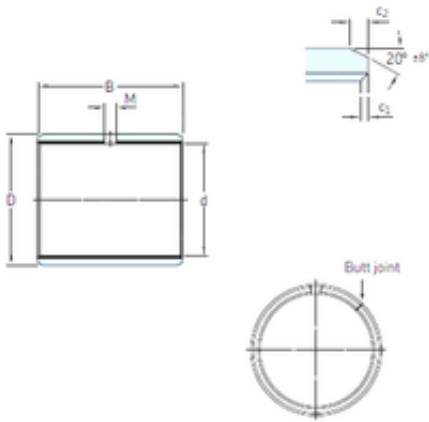




USK BEARING COMPANY



28 mm x 32 mm x 20 mm skf PCM 283220 E
Plain bearings, Bushings

Bearing No. PCM 283220 E

Size	28x32x20 mm
Bore Diameter	28 mm
Outer Diameter	32 mm
Width	20 mm
d	28 mm
D	32 mm
B	20 mm
c1 min	0,1 mm
c2 min	0,8 mm
M	– mm
Weight	0,028 Kg
Basic dynamic load rating (C)	43 kN
c ₁ min.	0.1 mm
c ₁ max.	0.7 mm
c ₂ min.	0.8 mm
c ₂ max.	1.6 mm
± 8	20 °
Tolerance shaft	f7
Tolerance housing	H7
Basic dynamic load rating - radial direction C	43 kN
Basic static load rating - radial direction C ₀	134 kN
Specific dynamic load factor K	80 N/mm ²
Specific static load factor K ₀	250 N/mm ²

PCM 283220 E Bearing 2D drawings and 3D CAD models



USK BEARING COMPANY

Factor depending on material and bearing type K_M	480
Permissible sliding velocity v min.	0 m/s
Permissible sliding velocity v max.	2 m/s
Coefficient of friction μ min.	0.03
Coefficient of friction μ max.	0.25
Mass bushing	0.028 kg