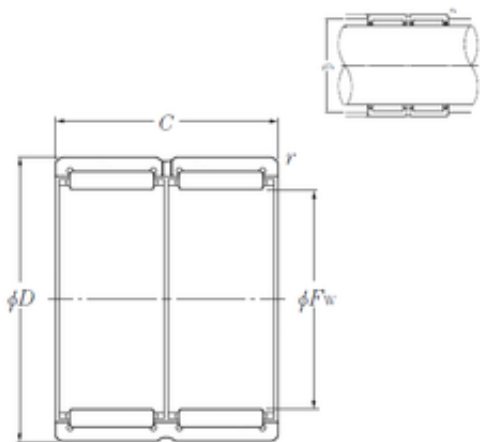




USK BEARING COMPANY

NTN RNA6919R Needle roller bearing-without inner ring



Bearing No. RNA6919R

Size	110x130x63 mm
Bore Diameter	110 mm
Outer Diameter	130 mm
Width	63 mm
Fw	110 mm
D	130 mm
C	63 mm
r min.	1,1 mm
Da max.	123,5 mm
ra max.	1 mm
Weight	1,46 Kg
Basic dynamic load rating (C)	177 kN
Basic static load rating (C0)	440 kN
(Grease) Lubrication Speed	2400 r/min
rs min	1.1 mm
Dw	6.5 mm
Lw	24 mm
Lubrication hole on outer ring	Oui/Yes
k	3.5 mm
Radial clearance class	CN
Precision class	P0
Mass	1.46 kg
Cr	177 kN
C0r	440 kN

RNA6919R Bearing 2D drawings and 3D CAD models



USK BEARING COMPANY

Nlim (grease)	2,400 rpm
Nlim (oil)	3,600 rpm
Min operating temperature, Tmin	-20 ° C
Max operating temperature, Tmax	120 ° C
Characteristic cage frequency, FTF	0.47 Hz
Characteristic rolling element frequency, BSF	17.87 Hz
Characteristic outer ring frequency, BPF0	15.11 Hz
Characteristic inner ring frequency, BPFI	16.89 Hz
Da max	123.5 mm
ras max	1 mm
Category	Bearings
Inventory	0.0
Manufacturer Name	NTN
Minimum Buy Quantity	N/A
Weight / Kilogram	2.548
Product Group	B04144