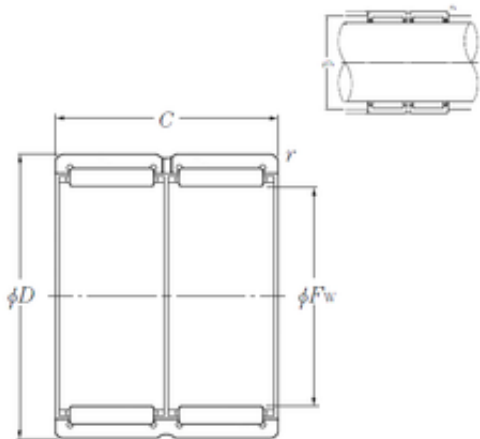




USK BEARING COMPANY

NTN RNA6918R Needle roller bearing-without inner ring



Bearing No. RNA6918R

| | |
|--------------------------------|---------------|
| Size | 105x125x63 mm |
| Bore Diameter | 105 mm |
| Outer Diameter | 125 mm |
| Width | 63 mm |
| Fw | 105 mm |
| D | 125 mm |
| C | 63 mm |
| r min. | 1,1 mm |
| Da max. | 118,5 mm |
| ra max. | 1 mm |
| Weight | 1,33 Kg |
| Basic dynamic load rating (C) | 175 kN |
| Basic static load rating (C0) | 425 kN |
| (Grease) Lubrication Speed | 2500 r/min |
| rs min | 1.1 mm |
| Dw | 6.5 mm |
| Lw | 24 mm |
| Lubrication hole on outer ring | Oui/Yes |
| k | 3.5 mm |
| Radial clearance class | CN |
| Precision class | P0 |
| Mass | 1.33 kg |
| Cr | 175 kN |
| C0r | 425 kN |

RNA6918R Bearing 2D drawings and 3D CAD models



USK BEARING COMPANY

| | |
|---|-----------|
| Nlim (grease) | 2,500 rpm |
| Nlim (oil) | 3,800 rpm |
| Min operating temperature, Tmin | -20 ° C |
| Max operating temperature, Tmax | 120 ° C |
| Characteristic cage frequency, FTF | 0.47 Hz |
| Characteristic rolling element frequency, BSF | 17.1 Hz |
| Characteristic outer ring frequency, BPF0 | 16.95 Hz |
| Characteristic inner ring frequency, BPFI | 19.05 Hz |
| Da max | 118.5 mm |
| ras max | 1 mm |
| Category | Bearings |
| Inventory | 0.0 |
| Manufacturer Name | NTN |
| Minimum Buy Quantity | N/A |
| Weight / Kilogram | 1.344 |
| Product Group | B04144 |