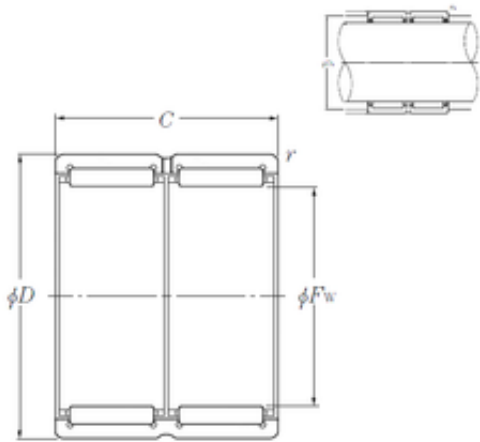




# USK BEARING COMPANY

## NTN RNA6912R Needle roller bearing-without inner ring



Bearing No. RNA6912R

Size	68x85x45 mm
Bore Diameter	68 mm
Outer Diameter	85 mm
Width	45 mm
Fw	68 mm
D	85 mm
C	45 mm
r min.	1 mm
Da max.	80 mm
ra max.	1 mm
Weight	0,488 Kg
Basic dynamic load rating (C)	95,5 kN
Basic static load rating (C0)	191 kN
(Grease) Lubrication Speed	4000 r/min
rs min	1 mm
Dw	5.5 mm
Lw	16.8 mm
Lubrication hole on outer ring	Oui/Yes
k	3.5 mm
Radial clearance class	CN
Precision class	P0
Mass	0.49 kg
Cr	95.5 kN
C0r	191 kN

RNA6912R Bearing 2D drawings and 3D CAD models



## USK BEARING COMPANY

Nlim (grease)	4,000 rpm
Nlim (oil)	6,000 rpm
Min operating temperature, Tmin	-20 ° C
Max operating temperature, Tmax	120 ° C
Characteristic cage frequency, FTF	0.46 Hz
Characteristic rolling element frequency, BSF	13.29 Hz
Characteristic outer ring frequency, BPF0	12.95 Hz
Characteristic inner ring frequency, BRFI	15.05 Hz
Da max	80 mm
ras max	1 mm
Category	Bearings
Inventory	0.0
Manufacturer Name	NTN
Minimum Buy Quantity	N/A
Weight / Kilogram	0.54
Product Group	B04144