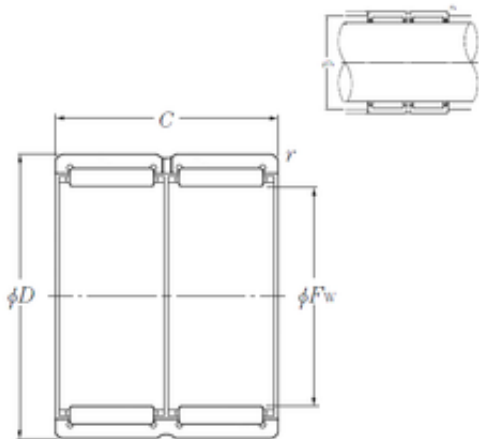




USK BEARING COMPANY

NTN RNA6908R Needle roller bearing-without inner ring



Bearing No. RNA6908R

Size	48x62x40 mm
Bore Diameter	48 mm
Outer Diameter	62 mm
Width	40 mm
Fw	48 mm
D	62 mm
C	40 mm
r min.	0,6 mm
Da max.	58 mm
ra max.	0,6 mm
Weight	0,256 Kg
Basic dynamic load rating (C)	67 kN
Basic static load rating (C0)	116 kN
(Grease) Lubrication Speed	5500 r/min
rs min	0.6 mm
Dw	5 mm
Lw	14.8 mm
Lubrication hole on outer ring	Oui/Yes
k	3 mm
Radial clearance class	CN
Precision class	P0
Mass	0.26 kg
Cr	67 kN
C0r	116 kN

RNA6908R Bearing 2D drawings and 3D CAD models



USK BEARING COMPANY

Nlim (grease)	5,500 rpm
Nlim (oil)	8,500 rpm
Min operating temperature, Tmin	-20 ° C
Max operating temperature, Tmax	120 ° C
Characteristic cage frequency, FTF	0.45 Hz
Characteristic rolling element frequency, BSF	10.51 Hz
Characteristic outer ring frequency, BPF0	9.96 Hz
Characteristic inner ring frequency, BRFI	12.04 Hz
Da max	58 mm
ras max	0.6 mm
Category	Roller Bearings
Inventory	0.0
Manufacturer Name	NTN
Minimum Buy Quantity	N/A
Weight / Kilogram	0.254
EAN	4547359173109
Product Group	B04144