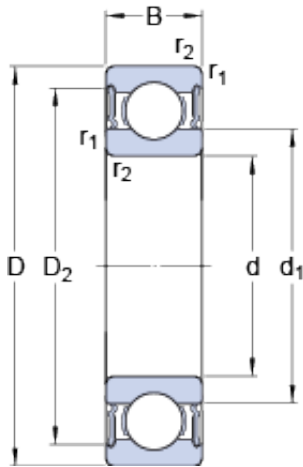




USK BEARING COMPANY



10 mm x 35 mm x 11 mm skf W 6300-2RS1 Deep groove ball bearings

Bearing No. W 6300-2RS1

W 6300-2RS1 Bearing 2D drawings and 3D CAD models

Size	35x10x11 mm
Bore Diameter	35 mm
Outer Diameter	10 mm
Width	11 mm
d	10 mm
D	35 mm
B	11 mm
d ₁	17.7 mm
D ₂	29.3 mm
r _{1,2} - min.	0.6 mm
d _a - min.	14 mm
d _a - max.	17.5 mm
D _a - max.	31 mm
r _a - max.	0.6 mm
Basic dynamic load rating - C	7 kN
Basic static load rating - C ₀	3.4 kN
Fatigue load limit - P _u	0.146 kN
Limiting speed	15000 r/min
Calculation factor - k _r	0.035
Calculation factor - f ₀	11.2
Category	Single Row Ball Bearings
Inventory	0.0
Manufacturer Name	SKF
Minimum Buy Quantity	N/A



USK BEARING COMPANY

Weight / Kilogram	0
Product Group	B00308
Enclosure	2 Seals
Precision Class	ABEC 1 ISO P0
Maximum Capacity / Filling Slot	No
Rolling Element	Ball Bearing
Snap Ring	No
Internal Special Features	No
Cage Material	Stainless Steel
Enclosure Type	Contact Seal
Internal Clearance	C0-Medium
Inch - Metric	Metric
Long Description	10MM Bore; 35MM Outside Diameter; 11MM Outer Race Width; 2 Seals; Ball Bearing; ABEC 1 ISO P0; No Filling Slot; No Snap Ring; No Internal Special Features; C0-Medium Internal Clearance; Stainless St
Other Features	Deep Groove NBR Seal
Category	Single Row Ball Bearing
UNSPSC	31171504
Harmonized Tariff Code	8482.10.50.68
Noun	Bearing
Keyword String	Ball
Manufacturer URL	http://www.skf.com
Manufacturer Item Number	W 6300-2RS1
Weight / LBS	0.123
Inner Race Width	0 Inch 0 Millimeter
Bore	0.394 Inch 10 Millimeter
Outer Race Width	0.433 Inch 11 Millimeter
Outside Diameter	1.378 Inch 35 Millimeter



USK BEARING COMPANY

d_1	17.7 mm
D_2	29.3 mm
$r_{1,2}$ min.	0.6 mm
d_a min.	14 mm
d_a max.	17.5 mm
D_a max.	31 mm
r_a max.	0.6 mm
Basic dynamic load rating C	7.02 kN
Basic static load rating C_0	3.4 kN
Fatigue load limit P_u	0.146 kN
Calculation factor k_r	0.035
Calculation factor f_0	11.2
Mass bearing	0.052 kg