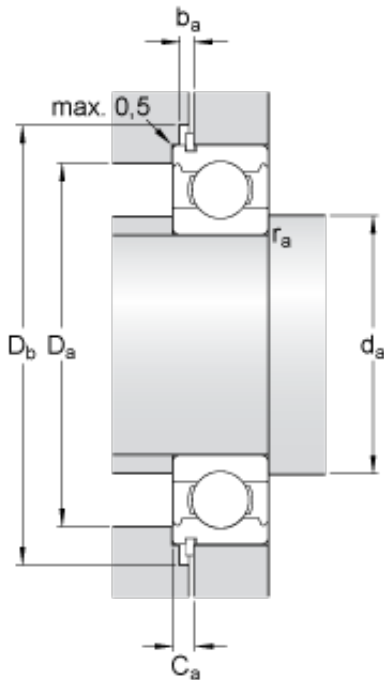


70 mm x 125 mm x 24 mm skf 6214 N Deep groove ball bearings

Bearing No. 6214 N



6214 N Bearing 2D drawings and 3D CAD models

d	70 mm
D	125 mm
B	24 mm
d ₁	87.05 mm
D ₂	111 mm
D ₃	120.22 mm
b	3.1 mm
C	4.06 mm
r ₀ max.	0.6 mm
r _{1,2} min.	1.5 mm
d _a min.	79 mm
D _a max.	116 mm
D _b min.	136 mm
b _a min.	3.5 mm
C _a max.	6.88 mm
r _a max.	1.5 mm
Basic dynamic load rating C	63.7 kN
Basic static load rating C ₀	45 kN
Fatigue load limit P _u	1.9 kN
Reference speed	11000 r/min
Limiting speed	7000 r/min
Calculation factor k _r	0.025
Calculation factor f ₀	14.7
Mass bearing	1.07 kg