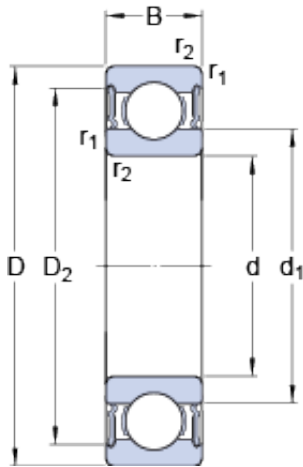




# USK BEARING COMPANY



28.575 mm x 63.5 mm x 15.875 mm skf RLS  
9-2RS1 Deep groove ball bearings

Bearing No. RLS 9-2RS1

RLS 9-2RS1 Bearing 2D drawings and 3D CAD models

Size	63.5x28.575x15.875 mm
Bore Diameter	63,5 mm
Outer Diameter	28,575 mm
Width	15,875 mm
d	28.575 mm
D	63.5 mm
B	15.875 mm
d <sub>1</sub>	40.36 mm
D <sub>2</sub>	54.06 mm
r <sub>1,2</sub> - min.	1.6 mm
d <sub>a</sub> - min.	36 mm
d <sub>a</sub> - max.	40.2 mm
D <sub>a</sub> - max.	56 mm
r <sub>a</sub> - max.	1.5 mm
Basic dynamic load rating - C	20.3 kN
Basic static load rating - C <sub>0</sub>	11.2 kN
Fatigue load limit - P <sub>u</sub>	0.475 kN
Reference speed	24000 r/min
Limiting speed	7500 r/min
Calculation factor - k <sub>r</sub>	0.025
Calculation factor - f <sub>0</sub>	14
Category	Single Row Ball Bearings
Inventory	0.0
Manufacturer Name	SKF



# USK BEARING COMPANY

Minimum Buy Quantity	N/A
Weight / Kilogram	0.231
EAN	7316577017710
Product Group	B00308
Enclosure	2 Seals
Precision Class	ABEC 1   ISO P0
Maximum Capacity / Filling Slot	No
Rolling Element	Ball Bearing
Snap Ring	No
Internal Special Features	No
Cage Material	Steel
Enclosure Type	Contact Seal
Internal Clearance	C0-Medium
Inch - Metric	Inch
Long Description	1-1/8" Bore; 2-1/2" Outside Diameter; 5/8" Outer Race Width; 2 Seals; Ball Bearing; ABEC 1   ISO P0; No Filling Slot; No Snap Ring; No Internal Special Features
Category	Single Row Ball Bearing
UNSPSC	31171504
Harmonized Tariff Code	8482.10.50.68
Noun	Bearing
Keyword String	Ball
Manufacturer URL	<a href="http://www.skf.com">http://www.skf.com</a>
Manufacturer Item Number	RLS 9-2RS1
Weight / LBS	0.509
Outside Diameter	2.5 Inch   63.5 Millimeter
Outer Race Width	0.625 Inch   15.875 Millimeter
Bore	1.125 Inch   28.575 Millimeter
d <sub>1</sub>	40.36 mm



## USK BEARING COMPANY

$D_2$	54.06 mm
$r_{1,2}$ min.	1.6 mm
$d_a$ min.	36 mm
$d_a$ max.	40.2 mm
$D_a$ max.	56 mm
$r_a$ max.	1.5 mm
Basic dynamic load rating C	20.3 kN
Basic static load rating $C_0$	11.2 kN
Fatigue load limit $P_u$	0.475 kN
Calculation factor $k_r$	0.025
Calculation factor $f_0$	14
Mass bearing	0.23 kg